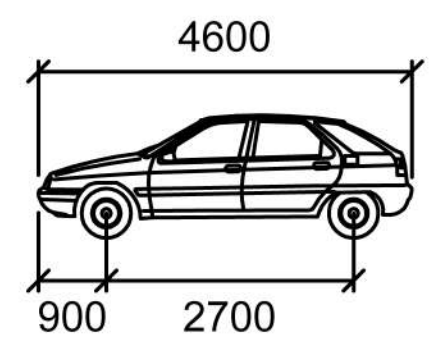


Scale 1:100
 Extra skin to be constructed around lift adjacent to third party walls, lift mechanical parts not to be installed next to third party walls.

NOTES:
 To Construct
 To Demolish



PRV CAR mm
 Width : 1700
 Track : 1700
 Lock to Lock Time : 6.0
 Steering Angle : 32.6



Approved/Proposed Level -1
 Scale 1:100

Red levels relate to datum by contractor surveyor
 Violet levels relate to datum by Planning Authority
 Approved levels relate to datum by Planning Authority