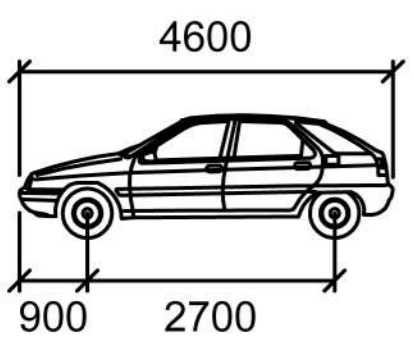


Extra skin to be constructed around lift adjacent to third party walls, lift mechanical parts not to be installed next to third party walls.

NOTES:  
To Construct  
To Demolish

Third Party



PRV CAR mm  
Width : 1700  
Track : 1700  
Lock to Lock Time : 6.0  
Steering Angle : 32.6



Approved/ Proposed Basement Level -2  
Scale 1:100

Red levels relate to datum by contractor surveyor  
Violet levels relate to datum by Planning Authority  
Approved levels relate to datum by Planning Authority